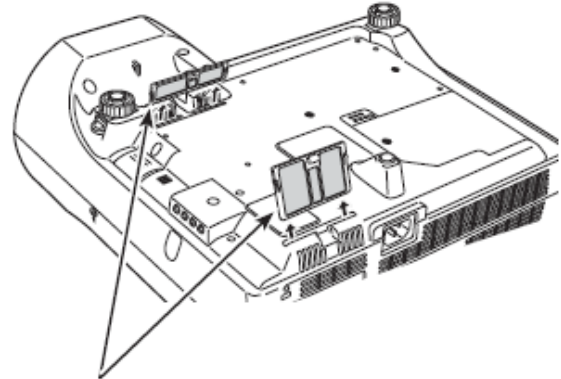


## Cleaning Projector Air Filters

Air filters prevent dust from accumulating on the surface of the optical elements inside the projector. Should the air filters become clogged with dust particles, they will reduce cooling fans' effectiveness and may result in a buildup of internal heat and adversely affect the life of the projector. Clean the air filters regularly by following the steps below.

1. Turn off the projector.
2. Lower the Promethean Board to its lowest position to make access easier.
3. Locate the two filters one toward the front and one toward the rear of the projector (see diagram).
4. Remove the filter by pulling the latches upward.
5. Clean the filter by blowing thru the filter to clear accumulated dust. If filters are difficult to clean by blowing off the dust. Clean them with a small brush or rinse softly. If rinsing the air filters, dry them well before reinserting into projector.
6. Replace the filters properly. Make sure that the air filters are fully inserted. *Note that rear filter inserts at an angle not straight down.*



Air filters  
Pull up and remove.

✓ **Note:**

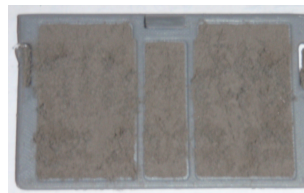
*When reinserting the air filters, be sure that the slit part is facing the outer side.*



**CAUTION**

Do not operate the projector with the air filters removed. Dust may accumulate on the optical elements degrading picture quality. Do not put anything into the air intake vents. Otherwise it may result in malfunction of the projector.

Dust Clogged Filter



Clean Filter



## Resetting the Filter Counter

Be sure to reset the Filter counter after cleaning or replacing the filters.

1. Press the MENU button to display the On-Screen Menu. Use the Point • • buttons to move the red frame pointer to the Setting Menu icon.
2. Use the Point • • buttons to move the red frame pointer to Filter counter and then press the SELECT button. A dialog box appears showing the total accumulated time of the filter use, a timer setting option, and the reset option. Select Reset and the "Filter counter Reset?" appears. Select [Yes] to continue.
3. Another confirmation dialog box appears, select [Yes] to reset the Filter counter.

**Filter counter**

Filter counter

11 Hour(s)

200H

Reset

Filter counter Reset?

Yes

No

OK?

Yes

No

Select Reset and the "Filter counter Reset?" appears.

Select [Yes], then another confirmation box appears.

Select [Yes] again to reset the Filter counter.